

Technical data sheet

Product features



Refrigerating unit for INFINITY 4011

Model	SAP Code	00011989
--------------	-----------------	----------



SAP Code	00011989	Net Weight [kg]	159.00
Net Width [mm]	1705	Power electric [kW]	5.420
Net Depth [mm]	945	Loading	400 V / 3N - 50 Hz
Net Height [mm]	1500		

Technical data sheet

Technical drawing

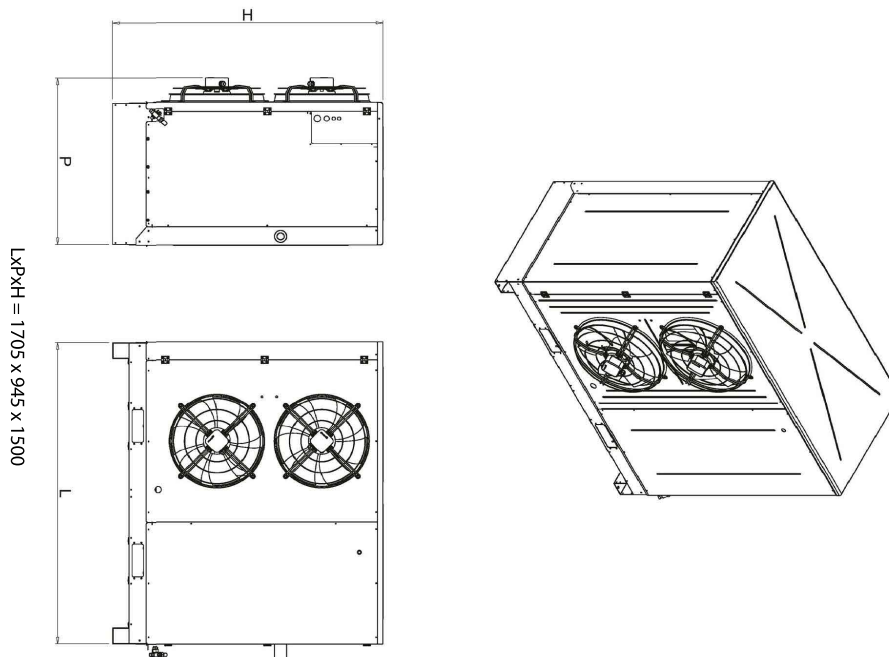


Refrigerating unit for INFINITY 4011

Model

SAP Code

00011989



Technical data sheet

Technical parameters



Refrigerating unit for INFINITY 4011

Model	SAP Code	00011989
--------------	-----------------	----------

1. SAP Code:

00011989

8. Gross Height [mm]:

1729

2. Net Width [mm]:

1705

9. Gross Weight [kg]:

169.00

3. Net Depth [mm]:

945

10. Device type:

Electric unit

4. Net Height [mm]:

1500

11. Power electric [kW]:

5.420

5. Net Weight [kg]:

159.00

12. Loading:

400 V / 3N - 50 Hz

6. Gross Width [mm]:

1900

13. Refrigerant:

R452a

7. Gross depth [mm]:

1080

14. Cross-section of conductors CU [mm²]:

1

- Výkon (kW): 3,7-5 (230 V); 6,4-8,7 (400 V)